

LE-70 series Electronic Resistance to Analog Converters

The LE-70 series are rail mounting analog control instruments for resistance to mA (or Voltage) conversion. This instrument is used together with the LE-70 and LTE-10 level probes for level transmission, and with the PT-TR420 probes for flow rate transmission.

Applications

- Automated process control in any industry with liquid level control for interfacing with PLC.
- Interface with analog indicators or alarms.

Benefits

- Very simple to use.
- Direct interface to any resistance output transducer.
- Front panel test switches give 0%, 25%, 50%, 75% and 100% outputs.
- Standard DIN rail mounting.
- Connections with screw terminals for easy installation and maintenance.
- 0-20 mA, 4-20 mA, 0-10 V, 0-5 V, 2-10 V or 1-5 V output options.
- Front panel adjustment for zero and span.
- Two or three wire connection to resistance probe.

Technical Data

- Power supply 110, 220, 240, 24 V ac 50-60 Hz
24 V dc
- Power consumption < 1 VA
- Input resistance 0..... 500 minimum
0.....50K maximum
- Precision 0.1%
- Temperature range -10°C..... 60°C
- Electrical connection 4 wire (power supply and output)
2 or 3 wire to resistance probe
- Installation: Vertical
- Connections: Flange DN-40, PN-16, DIN 2502
On request ASA
Thread 1 1/2" BSP-M
On request, NPT, sanitary.
- Maximum Range: AISI-316 6000 mm
PVC,PTFE 2500 mm
PVC,PTFE 6000 mm (interior SS)
- Liquid density: From 0.45 to 3kg/l.
- Liquid viscosity: Up to 1500 cSt (1.8 x 10⁻⁴ m²s)
- Accuracy: 10 mm (step 1)
- Hysteresis: 10 mm (step 1)



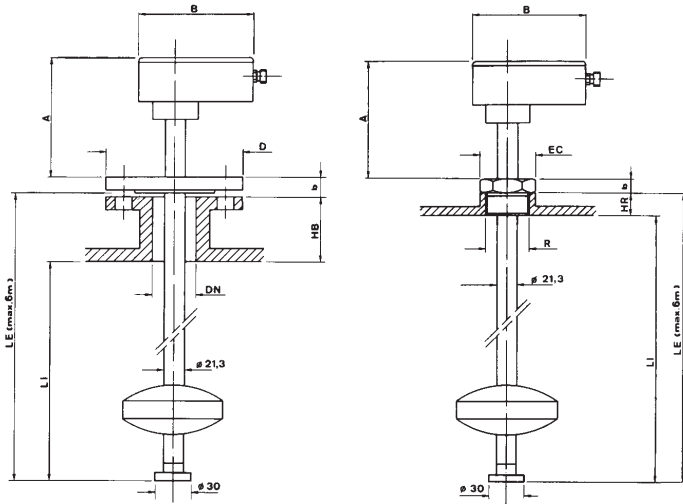
- Materials: AISI-316 (on request PTFE, PVC and others)
- Pressure: PN-16, (on request up to PN-100)
- Liquid Temp: -20°C + 150°C in AISI-316 and PTFE
0°C + 50°C in PVC



Thread LE-71

R	EC	b	A	B	HR	LE	LI
1 1/2	60	22	160	125	30	to indicate	

On request other diameters and norms.



Flanged

DN	PN	D	g	k	1xNo	b	A	B	HB	LE	LI
25*	40	115	68	85	14x4	18	160	125			
40	40	150	88	110	18x4	18	160	125			
100*	16	220	158	180	18x8	20	160	125			
150*	16	285	212	240	23x8	22	160	125			

To define with the order depending on tank and level to measure.

Standard DN-40 (* Others on request)

Ordering Information

LE-70 / a / vvv

a = **Output signal**

= **A** 0 - 20 mA

= **B** 4 - 20 mA

= **D** 0 - 5 V dc

= **E** 0 - 10 V dc

= **F** 1 - 5 V dc

= **G** 2 - 10 V dc

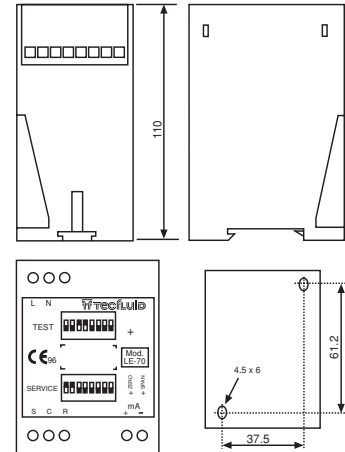
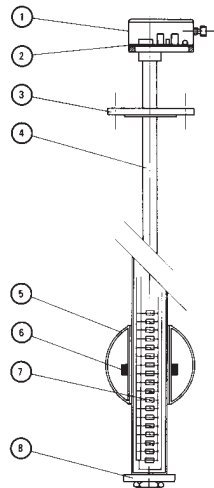
vvv = **Power supply voltage**

= **110** 110 V ac 50-60 Hz

= **220** 220-240 V ac 50-60 Hz

= **024** 24 V ac 50-60 Hz

= **24d** 24 V dc



Construction

N°.	Piece	Materials		
		LE-../SS	LE-../PVC	LE-../PTFE
1	Connection Box	Aluminium	Aluminium	Aluminium
2	Electronics Board	-	-	-
3	Connection	AISI-316	PVC	PTFE
4	Guide Tube	AISI-316	PVC	PTFE
5	Float	AISI-316	PVC	PTFE
6	Magnet	Supernialco	Supernialco	Supernialco
7	Reed	-	-	-
8	Ends	AISI-316	PVC	PTFE

* Normally connector DIN 43650 A

We are at your service, please consult us.

TECFLUID develops and manufactures instruments for gases and liquids, using the most advanced techniques.

Request Information by telephone n° 01 34 64 38 00



B.P. 27709

95046 CERGY PONTOISE CEDEX (FRANCE)

Tél. 01 34 64 38 00 – Fax. 01 30 37 96 86 Internet : www.tecfluid.fr